



TRLR125US

MQ POWER Tandem Axle Trailer

OPTIONAL TRAILER EQUIPMENT

- Bolt-on Electric Brake Coupler Plate with Electric-actuated Drum Brakes (all axles — self-adjusting brake actuators)
- Electric Breakaway Safety Device (electric-actuated brakes)
- Rear Stabilizer Stands
- Tongue Mounted Utility Storage Box
- Spare Tire with Locking Mount
- Anti-Theft Wheel Lock
- Center Mount Jack (rated 8,000 lbs./3,629 kg lift)
- 600V Transformer Kit

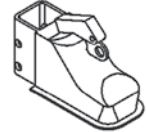
Coupler Options

3" Pintle Eye
25,000 lbs.

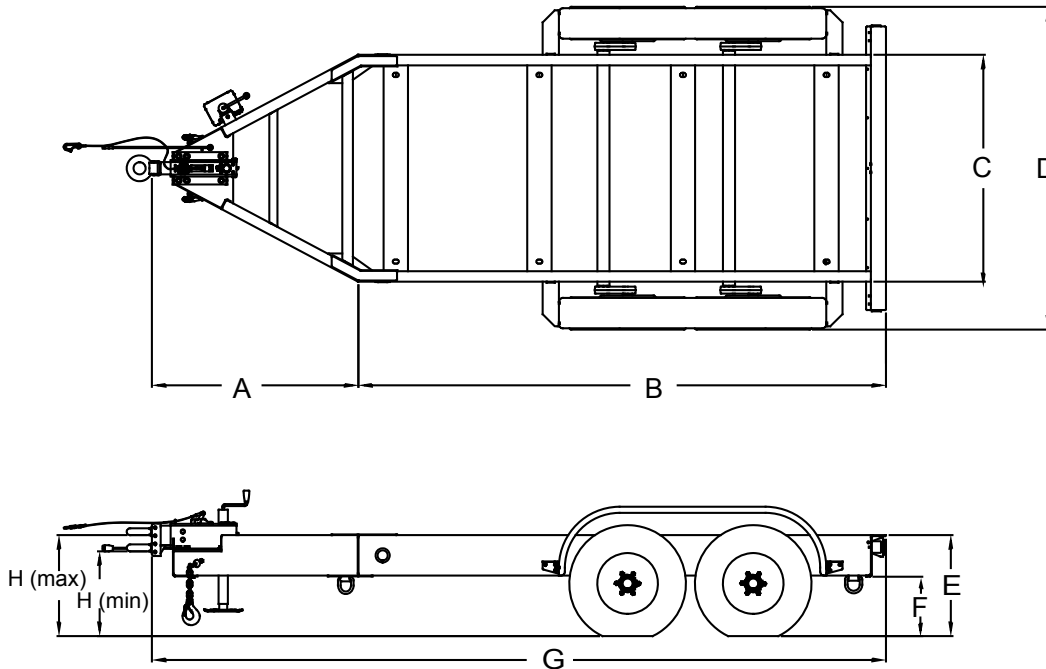


#EE36264

2-5/16" Ball Coupler
14,000 lbs.



#EE43253



Trailer Dimensions								
A	B	C	D	E	F	G	H	
							MIN	MAX
50.93 in (1,293.6 mm)	130.25 in (3,308.3 mm)	56 in (1,422.4 mm)	79.67 in (2,023.6 mm)	24.93 in (633.2 mm)	14.68 in (372.9 mm)	181.18 in (4,602 mm)	20.94 in (531.9 mm)	24.94 in (633.5 mm)

Trailer Weight
1,722 lbs. (781 kg)*

* Weight is approximate

Your Multiquip dealer is:



Generators NOW!
 4404 W Hillsborough Ave, Tampa FL 33614
 1-800-240-1479 www.generatorsnowllc.com
 generatorsnowllcsales@gmail.com



MULTIQUIP
 POST OFFICE BOX 6254
 CARSON, CA 90749
 310-537-3700 • 800-883-2551
 FAX: 310-604-3831
 E-MAIL: sales@multiquip.com
 WEBSITE: www.multiquip.com