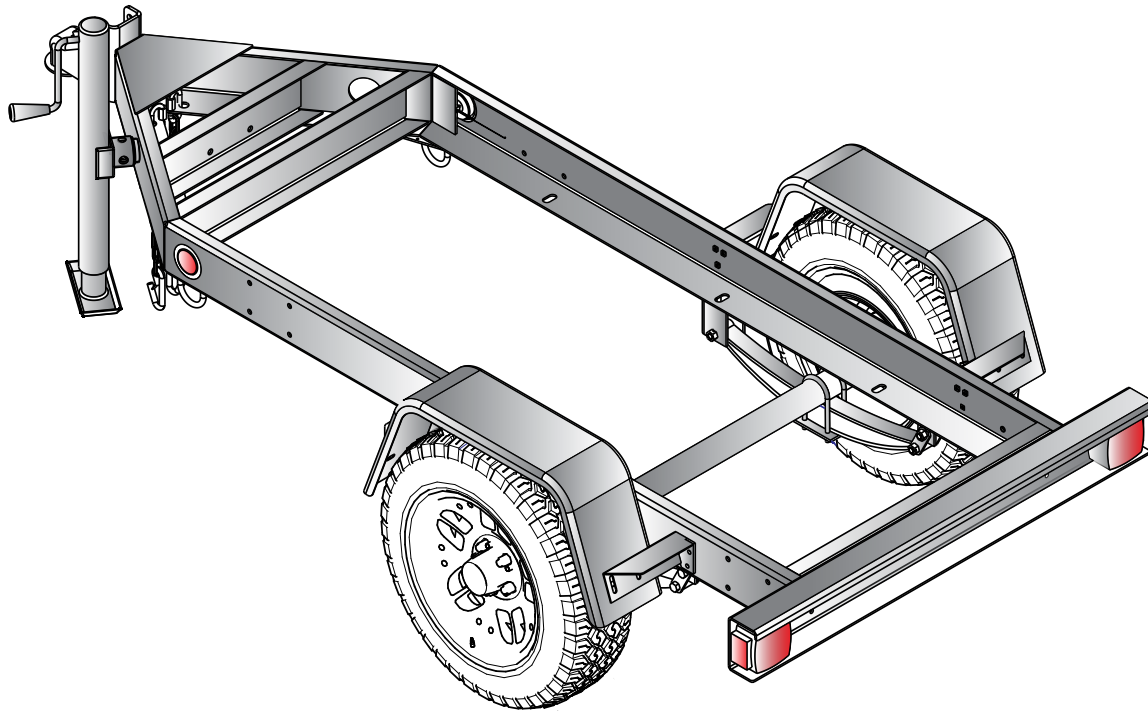




TRLR25US2
MQ POWER Single Axle Trailer



TRLR25US2 Technical Data	
Gross Vehicle Weight Rating (GVWR) — 3,500 lbs. (1,588 kg)	Tire Size — ST205/75D14 LR-C
Gross Axle Weight Rating (GAWR) — 3,500 lbs. (1,588 kg)	Wheel Bolt Pattern — 5 Lug
Coupler Rating — See coupler options on back page.	Tire Load Rating — 1,760 lbs/798 kg (ea.)
	Dimensions (LxWxH) — See back page.

STANDARD TRAILER EQUIPMENT

- Fits MQ Power Generator Model DCA25USI, DCA25SSIU4F
- Straight Single-axle Design with Leaf Spring Suspension
- Heavy-Duty Welded Steel Frame Construction
- Formed Channel for Generator Mounting and Support
- 4-hole Channel Allows 3-position, Adjustable Coupler Height; 4-inches O/A
- Tongue Mounted Swivel Jack (rated 3,000 lbs./1,361 kg lift)
- Replaceable, Bolt-on Steel Bumper, Fender Brackets and Fenders
- Rugged Textured Black Powder-Coated Frame, Channel, Actuator and Fenders
- D.O.T. Approved Tail Lamps, Stop Lamps, Turn Signal Lamps, Side Marker Lamps
- Weatherproof, Rubber Armored, 2-piece Trailer Light Wiring Harness





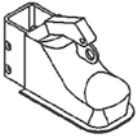
TRLR25US2

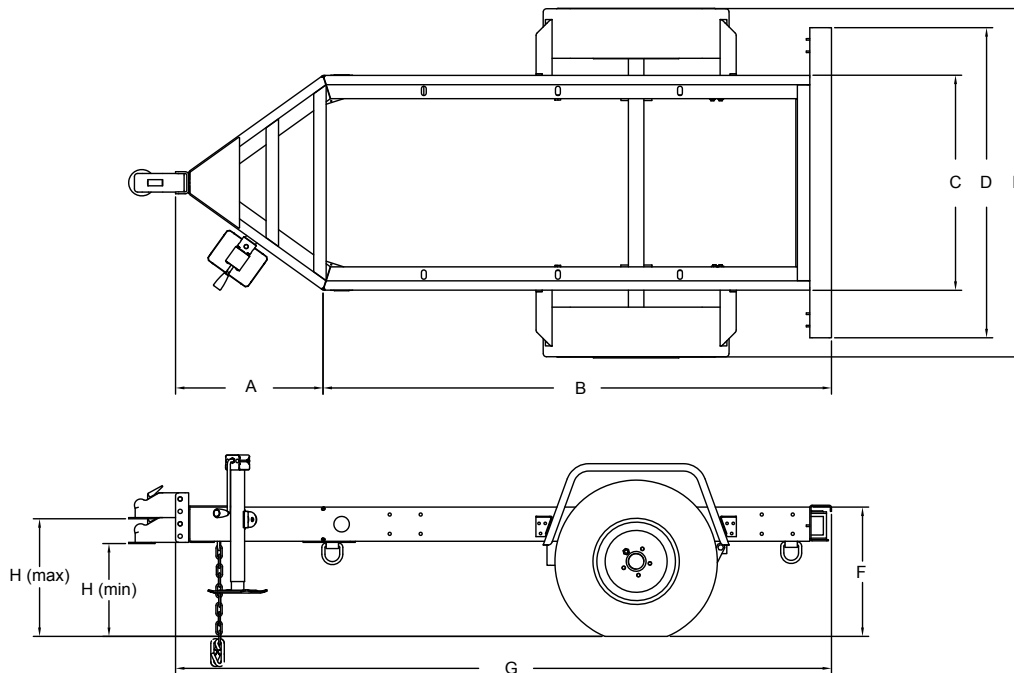
MQ POWER Single Axle Trailer

OPTIONAL TRAILER EQUIPMENT

- Rear Stabilizer Stands
- Tongue Mounted Utility Storage Box
- Spare Tire with Locking Mount
- Anti-Theft Wheel Lock
- Center Mount Jack (rated 8,000 lbs./3,629 kg lift)
- 600V Transformer Kit

Coupler Options

3" Pintle Eye 25,000 lbs. #EE36264	
2" Ball Coupler 8,000 lbs. #29228	
10,000 lbs. #EE43254	
2-5/16" Ball Coupler 14,000 lbs. #EE43253	



Trailer Dimensions								
A	B	C	D	E	F	G	H	
							MIN	MAX
23.8 in (604.5 mm)	81.99 in (2,082.5 mm)	34.68 in (880.9 mm)	50 in (1,270 mm)	56.18 in (1,427 mm)	20.85 in (529.6 mm)	105.79 in (2,687 mm)	14.97 in (380.2 mm)	18.97 in (481.8 mm)

Trailer Weight
444 lbs. (201 kg)*
<i>*Weight is approximate</i>

Your Multiquip dealer is:



Generators NOW!
4404 W Hillsborough Ave, Tampa FL 33614
1-800-240-1479 www.generatorsnowllc.com



MULTIQUIP
POST OFFICE BOX 6254
CARSON, CA 90749
310-537-3700 • 800-883-2551
FAX: 310-604-3831
E-MAIL: sales@multiquip.com
WEBSITE: www.multiquip.com