



TRLR300EV

MQ POWER Tandem Axle Trailer

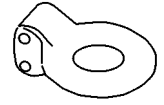
OPTIONAL TRAILER EQUIPMENT

- Bolt-on Electric Brake Coupler Plate with Electric-actuated Drum Brakes (all axles — self-adjusting brake actuators)
- Anti-Theft Wheel Lock
- Electric Breakaway Safety Device (electric-actuated brakes)
- Rear Stabilizer Stands
- Spare Tire with Locking Mount
- 24-inch Cable Storage Box

Coupler Options

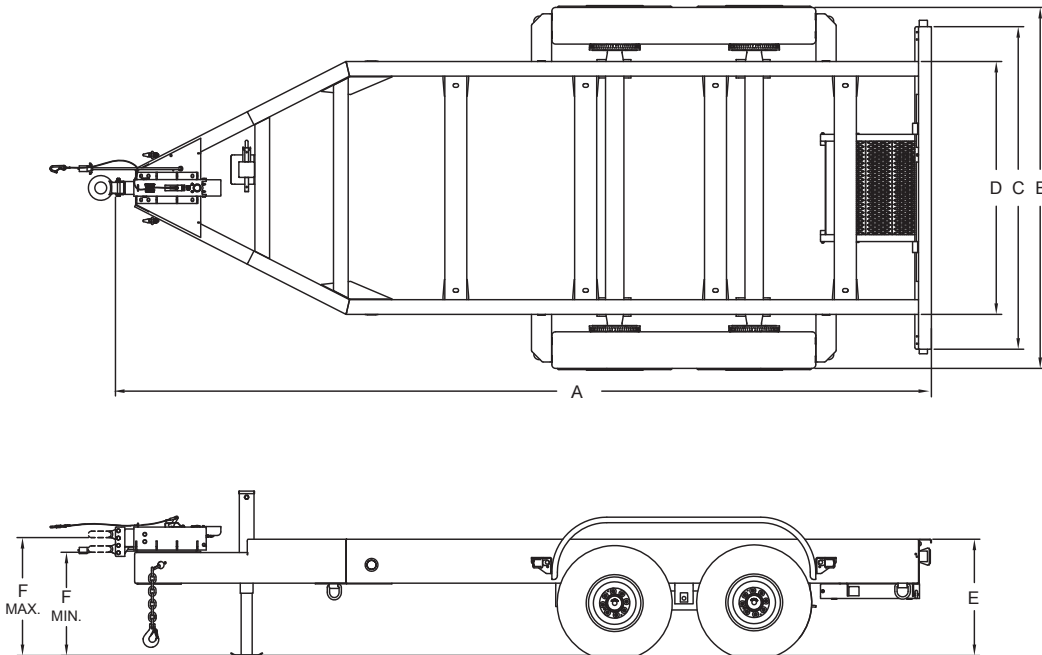
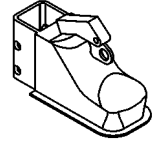
3" Pintle Eye
25,000 lbs.

#EE36264



2-5/16" Ball Coupler
20,000 lbs.

#EE56770



Trailer Dimensions						
A	B	C	D	E	F	
					Min	Max
223.15 in. (5,668 mm)	99.5 in. (2,527 mm)	88 in. (2,235 mm)	69 in. (1,753 mm)	32.95 in. (836 mm)	28.17 in. (715 mm)	32.17 in. (817 mm)

Trailer Weight
3,076 lbs. (1,395 kg)*

* Weight is approximate

Your MultiQuip dealer is:



Generators NOW!

4404 W Hillsborough Ave, Tampa FL 33614
1-800-240-1479 www.generatorsnowllc.com
generatorsnowllcsales@gmail.com



MULTIQUIP
POST OFFICE BOX 6254
CARSON, CA 90749
310-537-3700 • 800-883-2551
FAX: 310-604-3831
E-MAIL: sales@multiquip.com
WEBSITE: www.multiquip.com