






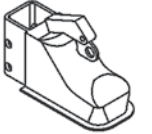
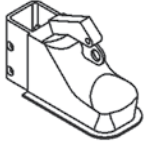
# TRLR45

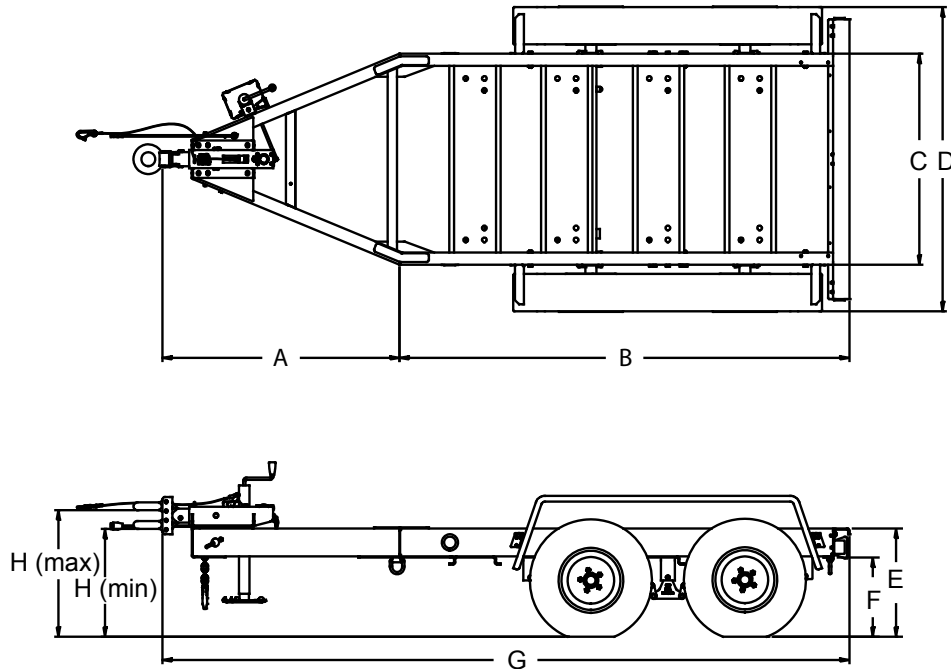
## MQ POWER Tandem Axle Trailer

### OPTIONAL TRAILER EQUIPMENT

- Bolt-on Electric Brake Coupler Plate with Electric-actuated Drum Brakes (all axles — self-adjusting brake actuators)
- Electric Breakaway Safety Device (electric-actuated brakes)
- Rear Stabilizer Stands
- Tongue Mounted Utility Storage Box
- Spare Tire with Locking Mount
- Anti-Theft Wheel Lock
- Center Mount Jack (rated 8,000 lbs./3,629 kg lift)
- 600V Transformer Kit

### Coupler Options

3" Pintle Eye 25,000 lbs.  #EE36264	
2" Ball Coupler 10,000 lbs.  #EE43254	
2-5/16" Ball Coupler 14,000 lbs.  #EE43253	



Trailer Dimensions								
A	B	C	D	E	F	G	H	
							MIN	MAX
50.84 in (1,291.3 mm)	96.49 in (2,450.8 mm)	45.25 in (1,149 mm)	65.25 in (1,657 mm)	23.2 in (590 mm)	16.98 in (431.3 mm)	147.33 in (3,742.2 mm)	23.1 in (587.7 mm)	27.1 in (689.3 mm)

Trailer Weight
1,056 lbs. (479 kg)*

\* Weight is approximate

Your MultiQuip dealer is:



Generators NOW!  
4404 W Hillsborough Ave, Tampa FL 33614  
1-800-240-1479 www.generatorsnowllc.com  
generatorsnowllcsales@gmail.com



MULTIQUIP  
POST OFFICE BOX 6254  
CARSON, CA 90749  
310-537-3700 • 800-883-2551  
FAX: 310-604-3831  
E-MAIL: sales@multiquip.com  
WEBSITE: www.multiquip.com