


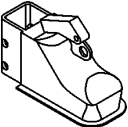
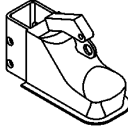


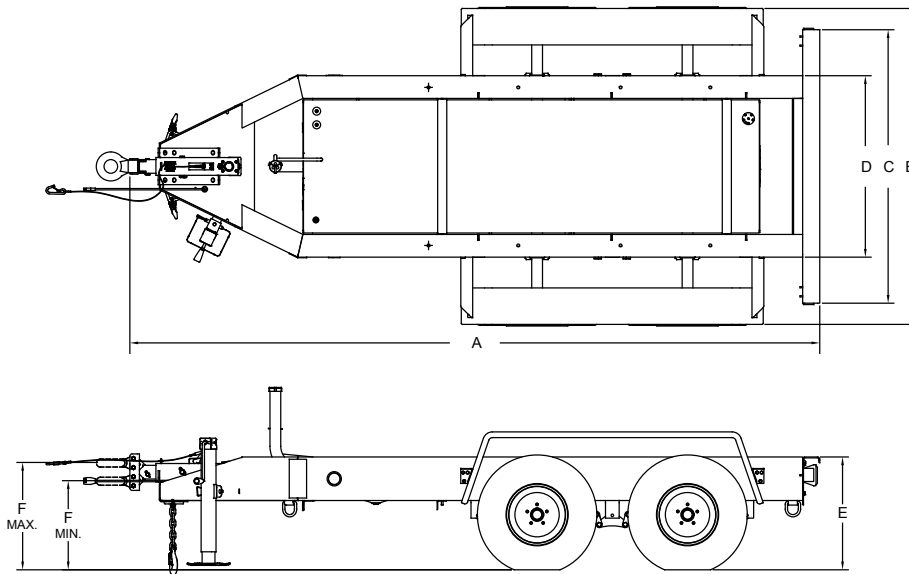
TRLR75XF2

MQ POWER Tandem Axle Trailer

OPTIONAL TRAILER EQUIPMENT

- Bolt-on Electric Brake Coupler Plate with Electric-actuated Drum brakes (all axles)
- Electric Breakaway Safety Device (electric-actuated brakes)
- Adjustable 2-inch Ball Coupler
- Adjustable 2 5/16-inch Ball Coupler
- Adjustable 3-inch Pintle-eye Coupler
- Rear Stabilizer Stands or Swivel Jacks
- Side-Mounted Utility Storage Box
- Anti-Theft Wheel Lock
- Spare Tire with Locking Mount

Coupler Options	
3" Pintle Eye 20,000 lbs. #EE36264	
2" Ball Coupler 10,000 lbs. #EE43254	
2-5/16" Ball Coupler 14,000 lbs. #EE43253	



Trailer Dimensions						
A	B	C	D	E	F	
					Min	Max
151.3 in (3843 mm)	69.3 in (1760 mm)	60 in (1524 mm)	39.8 in (1011 mm)	24.8 in (630 mm)	19.6 in (498 mm)	23.6 in (599 mm)

Trailer Weight	
Without fuel	With fuel
1,366 lbs. (619.6 kg)	2,077 lbs. (942 kg)

Your MultiQuip dealer is:



Generators NOW!

4404 W Hillsborough Ave, Tampa FL 33614
1-800-240-1479 www.generatorsnowllc.com
generatorsnowllcsales@gmail.com



MULTIQUIP
POST OFFICE BOX 6254
CARSON, CA 90749
310-537-3700 • 800-883-2551
FAX: 310-604-3831
E-MAIL: sales@multiquip.com
WEBSITE: www.multiquip.com